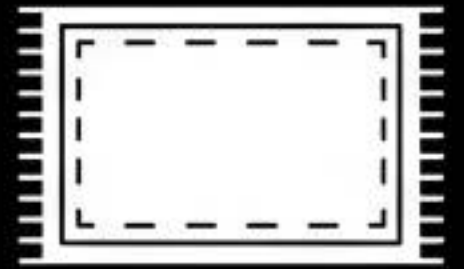


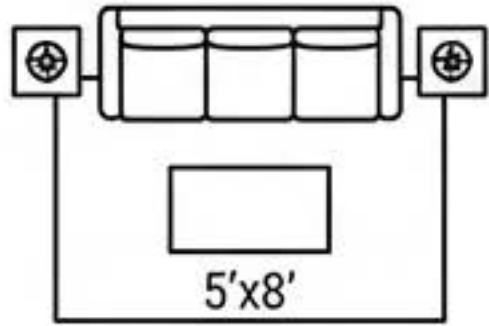
RUG SIZE CHEAT SHEET

for Standard Living Room, Dining Room & Bedroom Furniture

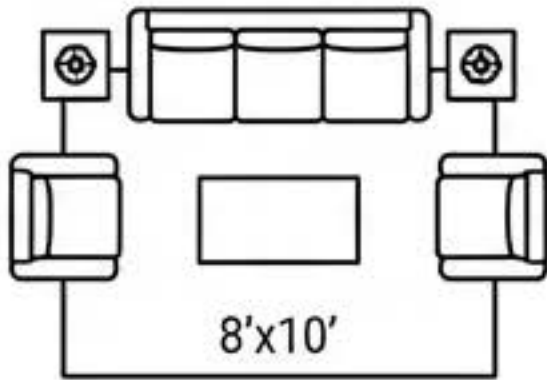


LIVING ROOM RUG GUIDE

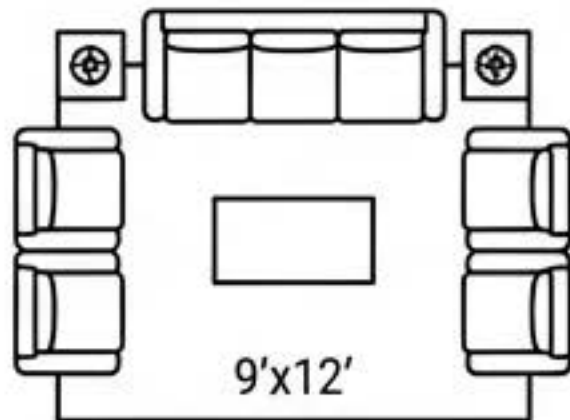
Small
(front legs only)



Medium
(front and back legs)



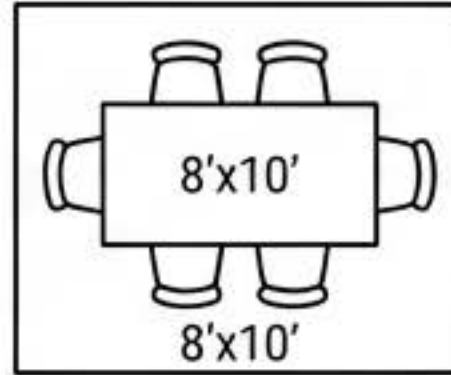
Large
(all furniture on)



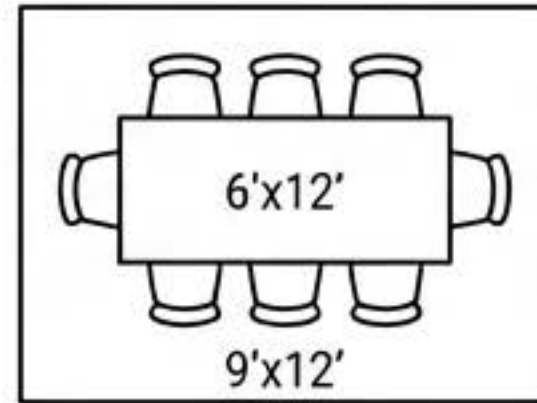
CHAIR RULE: Extend rug 24-36" beyond table edge.

DINING ROOM RUG GUIDE

4-6 Chairs
Rectangular Table



6-8 Chairs
Rectangular Table



Round Table
4-6 chairs



PROPORTION MATTERS: Match rug to furniture grouping, not room dimensions.

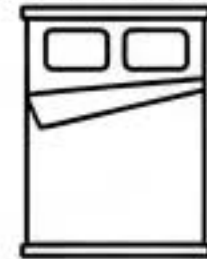
BEDROOM RUG GUIDE

Twin Bed



5'x8'

Full/Queen Bed



8'x10'

King/Cal King Bed



9'x12'

Twin Bed



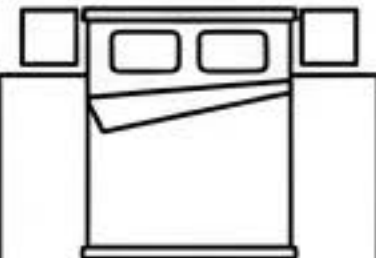
5'x8'

Full/Queen Bed



8'x10'

King/Cal King Bed



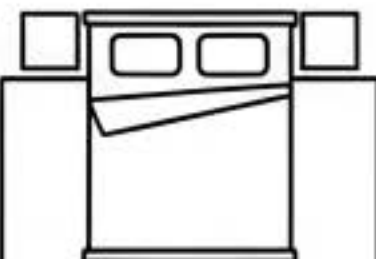
9'x12'



5'x8'



8'x10'



9'x12'

 **ROOM FOR BORDERS:** Leave 12-18" of floor visible around the rug edge.